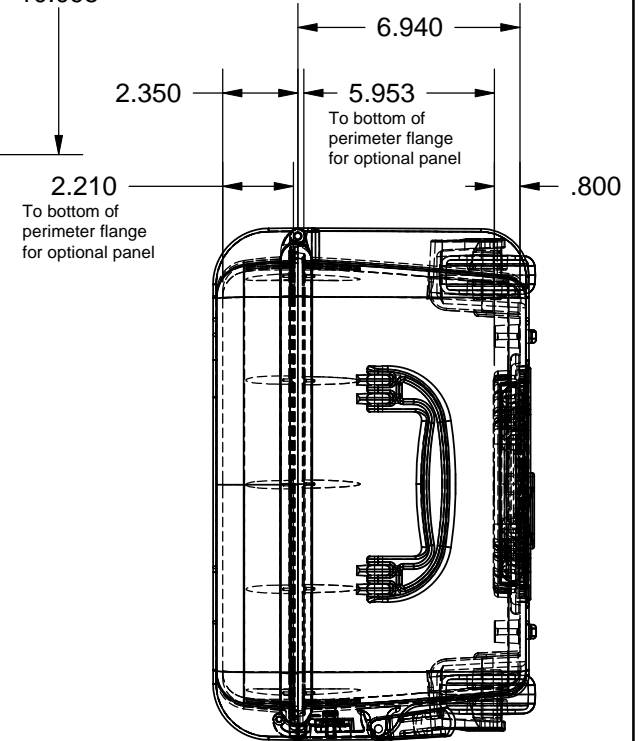
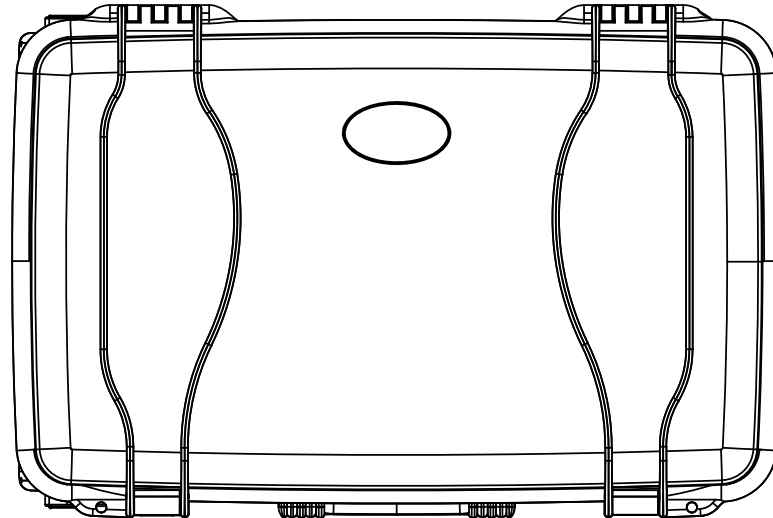
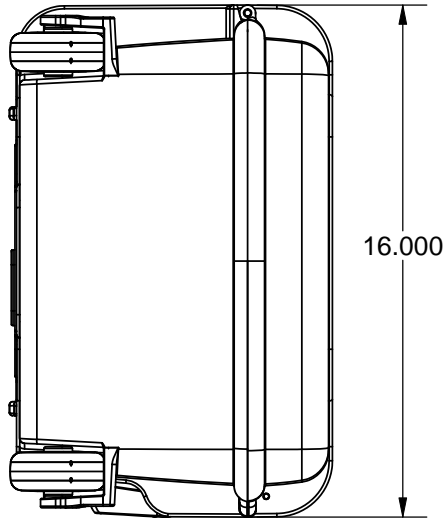
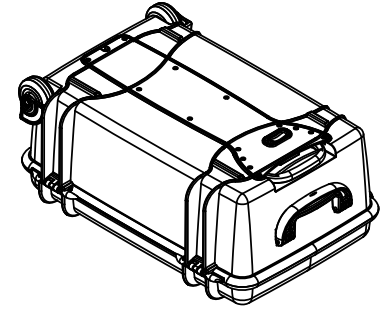
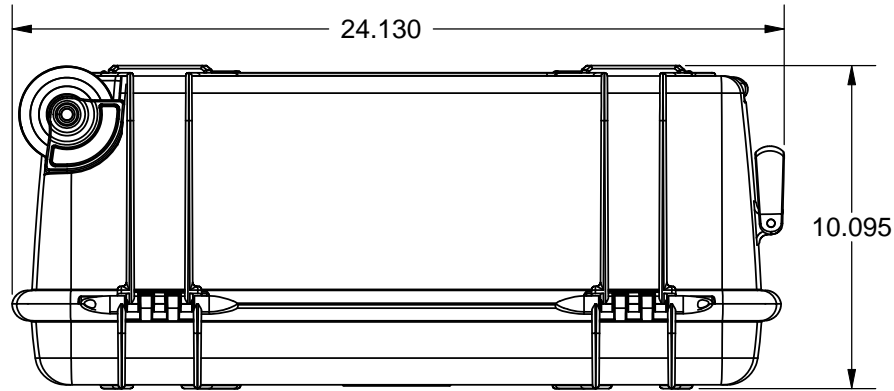
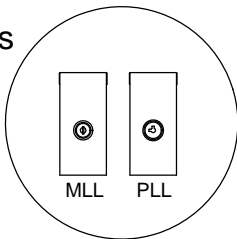


SERPAC R-920

Electronic Enclosures

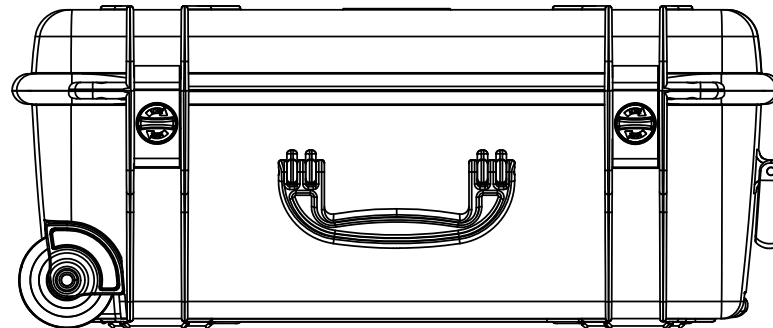


Option Latches



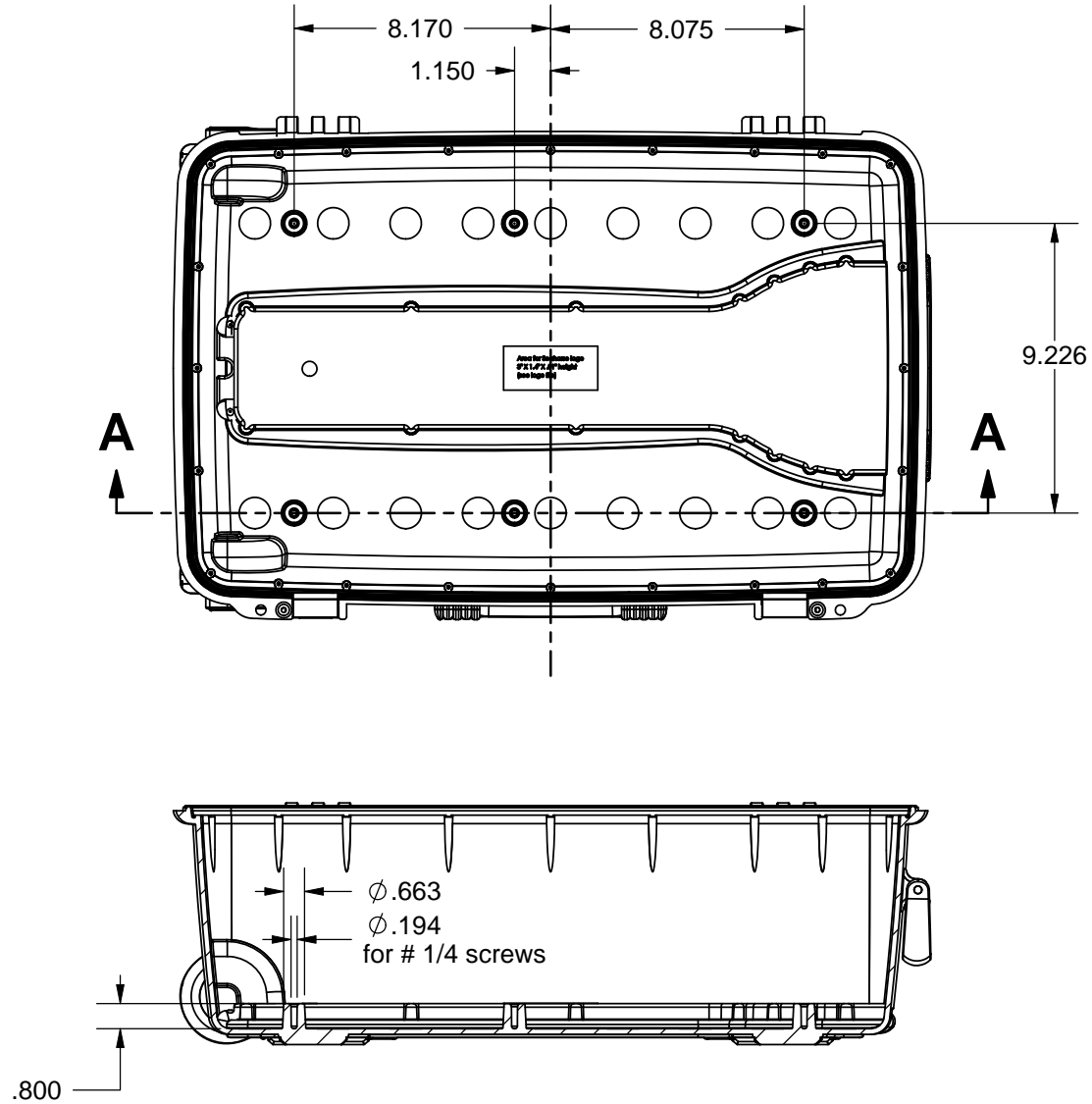
NOTES:

- 1) Max. usable inside dimensions are:
21 5/8" X 13 1/8" X 8 3/8" (curved enclosure)
- 2) Inside 6 bosses for #1/4" screws location.
(see sheet 2)



SERPAC R-920

Electronic Enclosures



SECTION A-A
SCALE 1 : 6